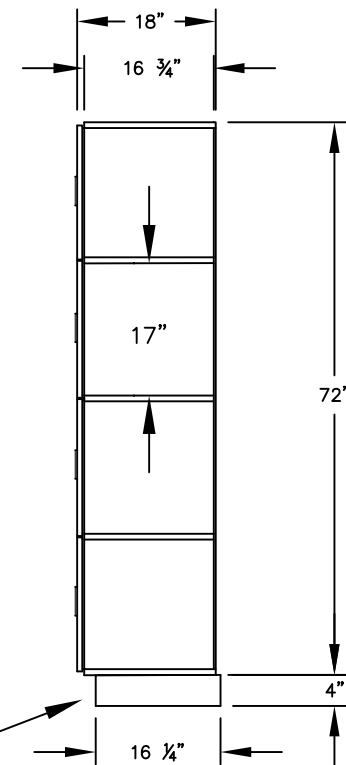


MODEL #24168  
 FOUR TIER  
 DESIGNER LOCKER - 1 WIDE

(4) LOCKER COMPARTMENTS  
 COMPARTMENT SIZE:  
 13 3/4" W x 17" H x 16 3/4" D

(NOTE: DESIGNER LOCKER  
 SHOWN WITHOUT SIDE PANEL  
 OR SLOPING HOOD. PLEASE  
 ORDER SEPARATELY.)

SIDE VIEW



(BASES ARE MADE OF INDUSTRIAL GRADE  
 PARTICLEBOARD AND ARE COVERED IN A  
 DURABLE BLACK LAMINATE. PLEASE SET  
 BASE TO ALLOW 5/8" BETWEEN THE BACK OF  
 THE LOCKER AND THE WALL FOR AIR  
 VENTILATION.)

MODEL #24168

15" WIDE FOUR TIER  
 DESIGNER WOOD LOCKER  
 SIX FEET HIGH (ADD 4" FOR BASE)

AVAILABLE FINISHES: GRAY, BLUE, BLACK,  
 MAPLE, CHERRY OR MAHOGANY

DRAWN: 07/18

***Established in 1936, Salsbury Industries is the industry  
 leader in manufacturing and distributing quality lockers.***

1010 E. 62ND STREET  
 LOS ANGELES, CA 90001  
 PHONE: (800) 562-5377  
 FAX: (800) 562-5399  
 email: [engineering@lockers.com](mailto:engineering@lockers.com)