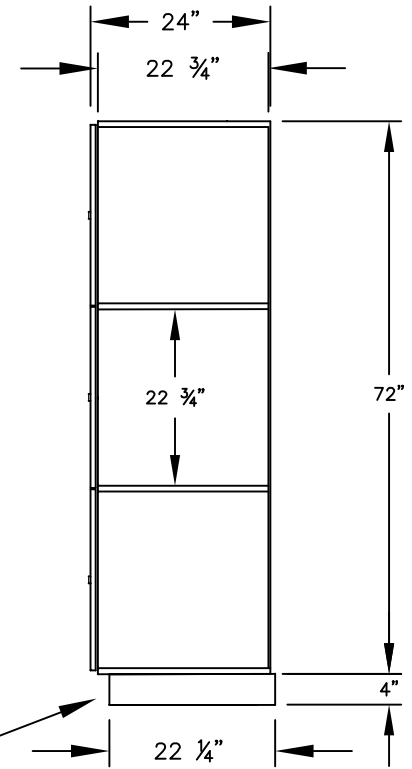


(NOTE: SOLID OAK EXECUTIVE LOCKER SHOWN WITHOUT SIDE PANEL OR CROWN MOLDING. PLEASE ORDER SEPARATELY.)

MODEL #13164  
TRIPLE TIER SOLID OAK  
EXECUTIVE LOCKER - 1 WIDE

(3) LOCKER COMPARTMENTS  
EACH COMPARTMENT:  
14 3/4" W x 22 3/4" H x 22 3/4" D

SIDE VIEW



(BASES ARE MADE OF INDUSTRIAL GRADE PARTICLEBOARD AND ARE COVERED IN A DURABLE BLACK LAMINATE. PLEASE SET BASE TO ALLOW 5/8" BETWEEN THE BACK OF THE LOCKER AND THE WALL FOR AIR VENTILATION.)

MODEL #13164

24" DEEP TRIPLE TIER  
SOLID OAK EXECUTIVE LOCKER  
SIX FEET HIGH (ADD 4" FOR BASE)

AVAILABLE FINISHES:  
LIGHT OAK, MEDIUM OAK, DARK OAK

DRAWN: 10/14

**Established in 1936, Salsbury Industries**  
**is the industry leader in manufacturing and distributing**  
**quality lockers and storage solutions.**

1010 E. 62ND STREET  
LOS ANGELES, CA 90001  
PHONE: (800) 562-5377  
FAX: (800) 562-5399  
email: [engineering@lockers.com](mailto:engineering@lockers.com)